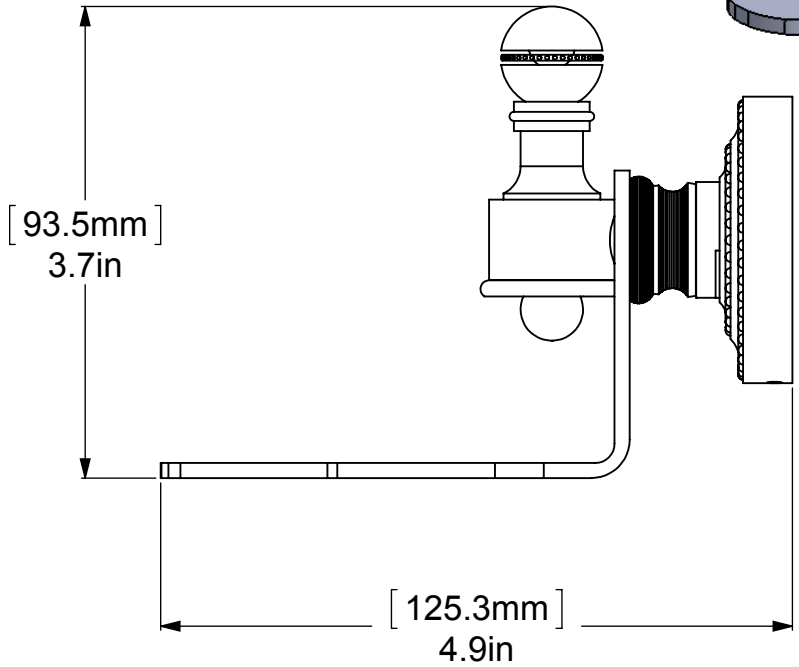
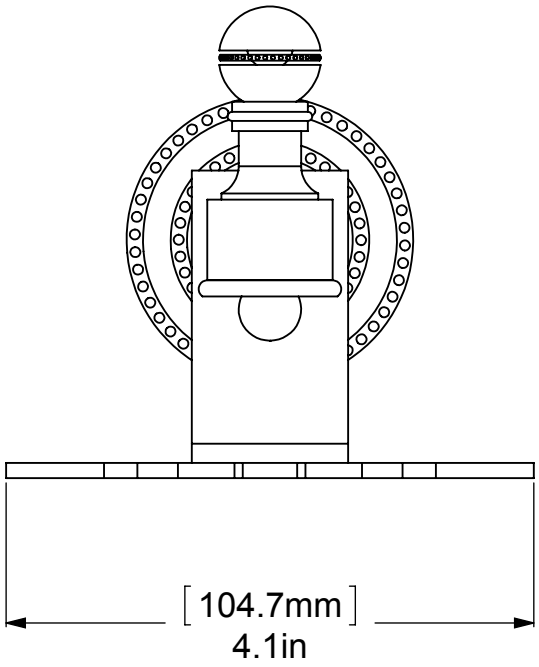
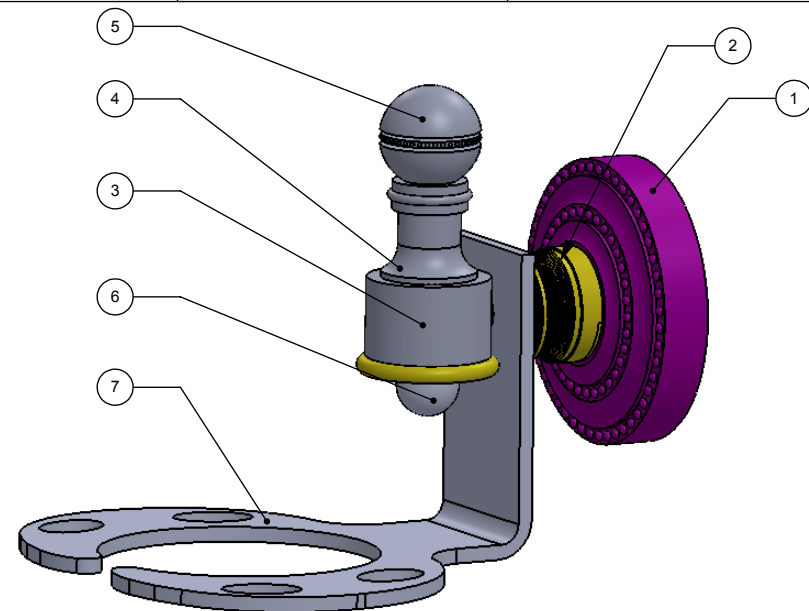


ITEM NO.	P/N	Description	QTY.
1	BPDT	BACKPLATE	1
2	NKSL-58	NECK	1
3	HB1T-1	HUB	1
4	NKSL-78	CONNECTOR	1
5	BLDT1T-34	0.75" BALL	1
6	BL1T-12	0.5" BALL	1
7	HRRDT	TUB	1



UNLESS OTHERWISE STATED

.X	±.3mm
.XX	±.15mm
.XXX	±.008mm

COPYRIGHT © Allied Brass 2015



DRAWN	2-15-2016	I.M
CHECKED	2-15-2016	P.D
APPROVED	2-15-2016	R.A

MATERIAL:	BRASS
DESCRIPTION:	SOAP DISH



FINISH	TBD
QUANTITY	TBD
DRAWING No.	RD-26
REV	0
SCALE	1:1.5
SHEET: 01	A4